

BARRE DI SUPPORTO QUADRE SNODATE SQUARE SQUARE SUPPORT BARS / ECKIGE STABILISATIONSTANGEN

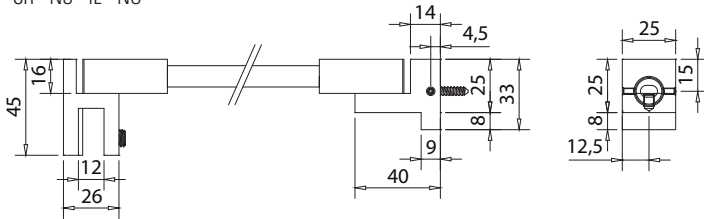


Matt Black

B-328

- Barra di supporto snodata Square riducibile a piacere muro/vetro.
- Square adjustable support bar wall/glass, it is possible to cut the bar to adjust its size.
- Eckige Stabilisationsstange Wand/Glas, beliebig Kürzbar.

CR - NS - IL - NO



€►B.277

ART.	Lunghezza (A) Length (A) Länge (A)	Finitura Finish Oberflächen
B-328-500	500 mm	CR NS NO
B-328-1000	1000 mm	CR NS NO
B-328-1500	1500 mm	IL NO



B-328-F

- Barra di supporto snodata a muro con attacco fisso a vetro B-324.
- Square support bar with adjustable wall connector and fixed glass connector B-324.
- Eckige Stabilisationsstange Wandanschluss vestellbar, Glasanschluss fest B-324.

CR - NS - IL - NO

€►B.278

ART.	Lunghezza (A) Length (A) Länge (A)	Finitura Finish Oberflächen
B-328-F-500	500 mm	CR NS NO
B-328-F-1000	1000 mm	CR NS NO
B-328-F-1500	1500 mm	IL NO

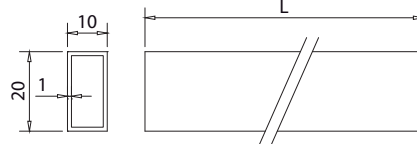
COMPONENTI / COMPONENTS / EINZELTEILE



B-318

- Barra centrale Square riducibile a piacere.
- Square centre bar possible to cut to adjust its size.
- Eckige Stange beliebig Kürzbar.

CR - NS - IL



€►B.279

ART.	Lunghezza (A) Length (A) Länge (A)	Finitura Finish Oberflächen
B-318-500	500 mm	CR NS
B-318-1000	1000 mm	CR NS
B-318-1500	1500 mm	IL

xme386

CR
Cromo lucido
Polished chrome
Chrom glänzend

NS
Nickel satinato
Satin nickel
Ähnlich Edelstahl matt

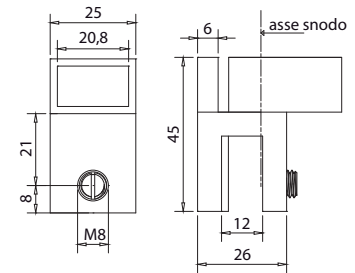
IL
Acciaio inox lucido
Polished stainless steel
Edelstahl poliert

NO
Nero opaco
Matt black
Schwarz matt


B-320

- Attacco a vetro snodato per barra di supporto quadra.
- Adjustable glass connector for square support bar.
- Eckige Stabilisationsstange Glasanschluss verstellbar.

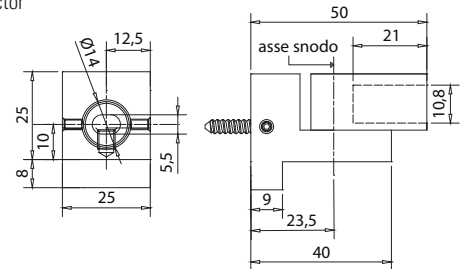
CR - NS



B-319

- Attacco a muro snodato per barra di supporto quadra.
- Adjustable wall connector for square support bar.
- Eckige Stabilisationsstange Wandanschluss verstellbar.

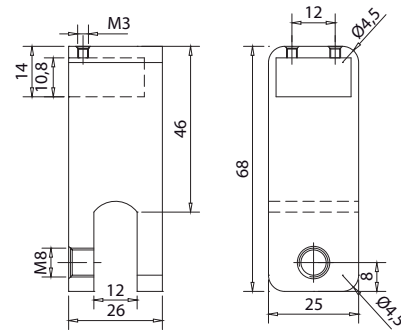
CR - NS



B-323

- Attacco a vetro chiuso per barra di supporto quadra.
- Glass connector for square support bar.
- Eckige Stabilisationsstange Glasanschluss.

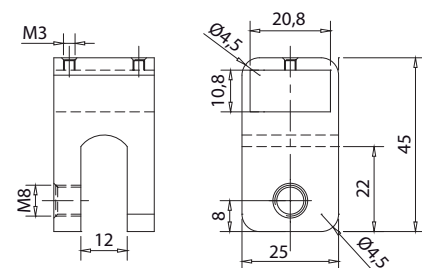
CR - NS



B-321

- Attacco a vetro 90° passante.
- Glass connector 90° for passage support bar.
- Glasanschluss 90° für Stabilisationsstange durchgehend.

CR - NS



xme386

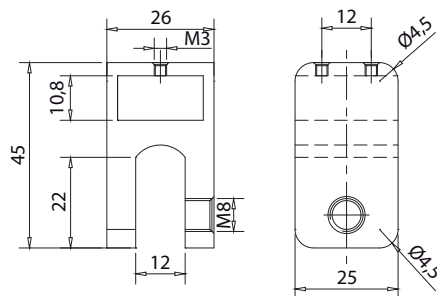
CR	NS
Cromo lucido	Nickel satinato
Polished chrome	Satin nickel
Chrom glänzend	Ähnlich Edelstahl matt



B-322

- Attacco a vetro in linea passante.
 - Glass connector in-line for passage support bar.
 - Glasanschluss in Linie für Stabilisationsstange durchgehend.
- CR - NS

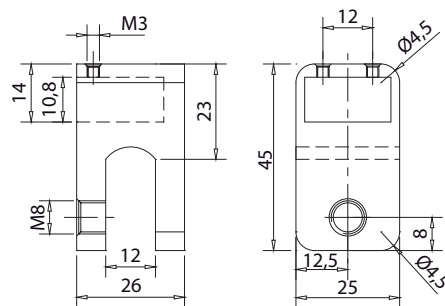
€► B.283



B-324

- Attacco a vetro chiuso.
 - Glass connector for square support bar.
 - Eckige Stabilisationsstange Glasanschluss.
- CR - NS

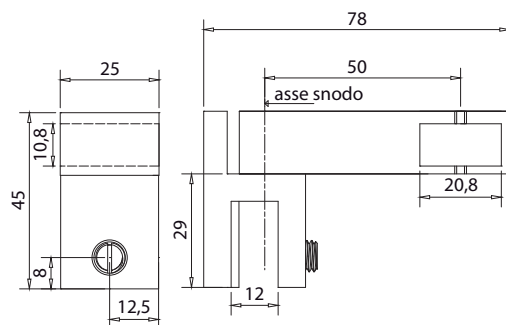
€► B.285



B-325

- Supporto centrale snodato per vetro fisso laterale.
 - Adjustable T-connector side glass to support bar.
 - Verstellbares T-Stück für Glas/Stange.
- CR - NS

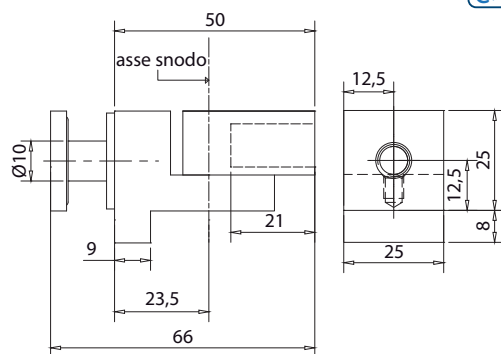
€► B.286



B-326

- Attacco snodato montaggio a vetro.
 - Adjustable connector for glass installation.
 - Verstellbarer Anschluss für Glasmontage.
- CR - NS

€► B.287



SEPARÉ

CR
Cromo lucido
Polished chrome
Chrom glänzend
152

NS
Nickel satinato
Satin nickel
Ähnlich Edelstahl matt