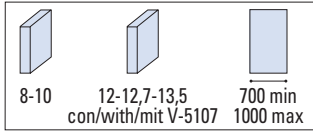


EVOLUTION

V-5100



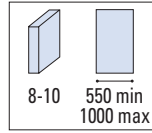
120 Kg



V-5150



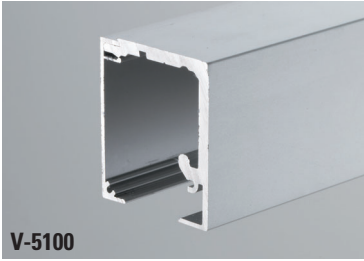
70 Kg

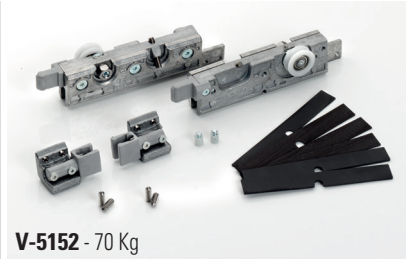


SIMPLE



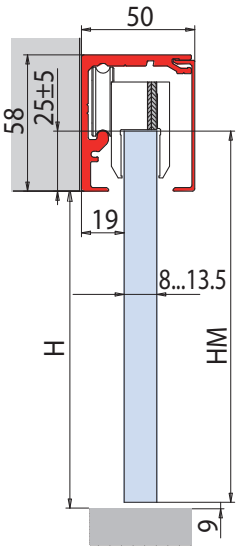
COMPONENTI / COMPONENTS / EINZELTEILE ► 36


V-5100

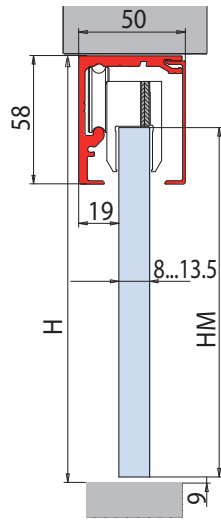
V-5102 - 120 Kg

V-5152 - 70 Kg

V-012
V-5101


SIMPLE



$$HM = H + 16$$

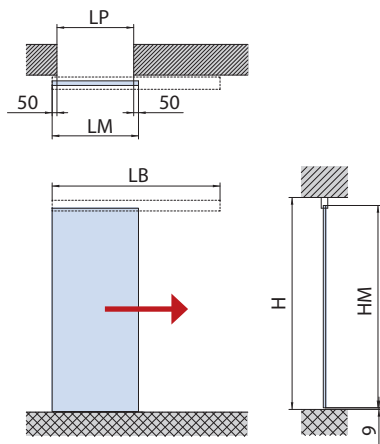


$$HM = H - 43$$


V-5100 / V-5150 SET 1

€► A.62 €► A.64

- Set per 1 anta scorrevole, fissaggio a parete/soffitto
- Sliding door set, wall/ceiling installation
- Schiebetürset 1-flügelig, Wand-Deckenmontage



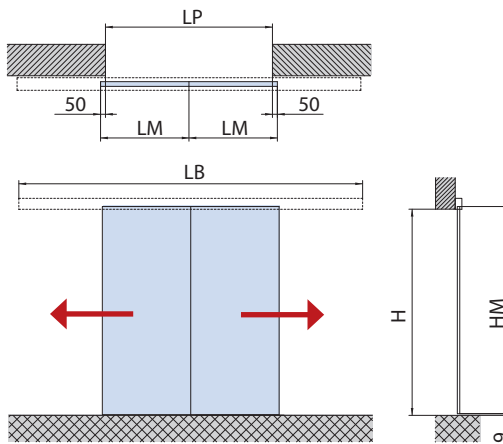
$$LB = LP \times 2 + 150$$

$$LM = LP + 100$$

V-5100 / V-5150 SET 2

€► A.63 €► A.65

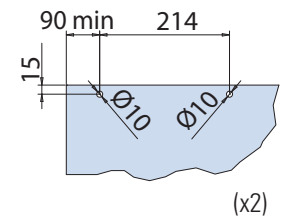
- Set per 2 ante scorrevoli, fissaggio a parete/soffitto
- Sliding doors set, wall/ceiling installation
- Schiebetürset 2-flügelig, Wand-Deckenmontage



$$LB = LP \times 2 + 100$$

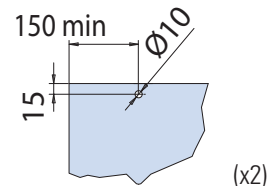
$$LM = (LP + 100) / 2$$

xla209 / xla281c

 LAVORAZIONE VETRO
 GLASS PREPARATION
 GLASBEARBEITUNG


(x2)

- **Fori optional** per V-5102
- **Holes optional** for V-5102
- **Bohrungen Optional** für V-5102



(x2)

- **Fori optional** per V-5152
- **Holes optional** for V-5152
- **Bohrungen Optional** für V-5152

Cod.	Fin. / Fin. Oberf.	V-5100 SET 1 FIX	V-5100 SET 1-MIS	V-5100 SET 2 FIX	V-5100 SET 2-MIS	V-5150 SET 1 FIX	V-5150 SET 1-MIS	V-5150 SET 2 FIX	V-5150 SET 2-MIS
V-5100 L=2000 L=2500 L=3000 L=4000 L=6000	AN / IXE	1	-	1	-	1	-	1	-
V-5100-MIS L=1500 → 6000	AN / IXE	-	1	-	1	-	1	-	1
V-5102	-	1	1	2	2	-	-	-	-
V-5152	-	-	-	-	-	1	1	2	2
V-5101	AN / IXE	1	1	1	1	1	1	1	1
V-012	AN / NS	1	1	2	2	1	1	2	2