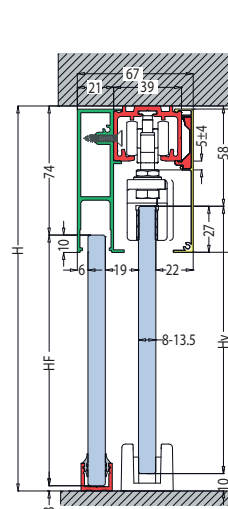
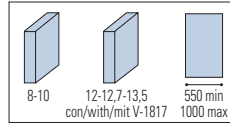




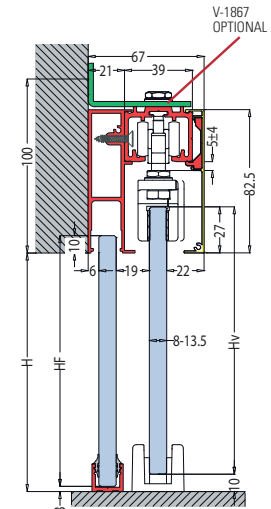
## BRIXIA HEAVY (OPTIONAL SOFT-CLOSE)

### V-1863



$$HV = H - 68$$

$$HF = H - 77$$

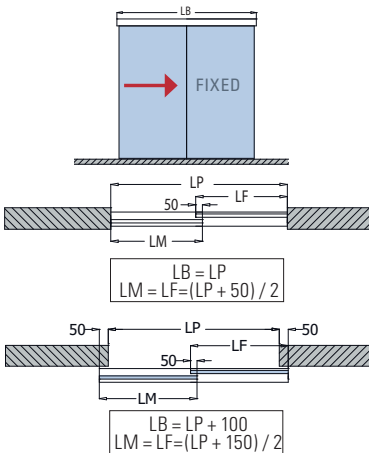


$$HV = H + 17$$

$$HF = H + 7$$

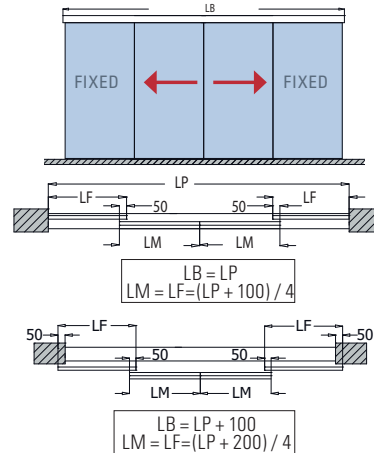
### V-1863 SET 1

- Set per 1 anta scorrevole e vetro fisso, fissaggio a soffitto o a parete
- Sliding door set with fixed panel, ceiling or wall installation
- Schiebetürset für 1 flg mit Seitenteil, Deckenmontage- Wandmontage

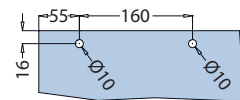


### V-1863 SET 2

- Set per 2 ante scorrevole e vetri fissi, fissaggio a parete / soffitto
- Sliding doors set with fixed panel, wall/ ceiling installation
- Schiebetürset für 2 flg mit Seitenteil, Wand-Deckenmontage



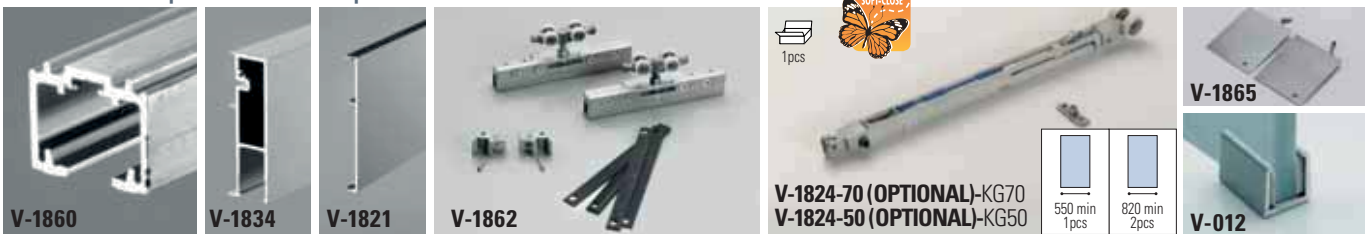
### LAVORAZIONE VETRO GLASS PREPARATION GLASBEARBEITUNG



- ATTENZIONE: Con fori di sicurezza l'anta minima con soft close aumenta di 100 mm
- WARNING: With optional security holes min. panel's width soft-close must be increased of 100mm
- ACHTUNG: Wenn Sicherheitsbohrungen und Soft-close eingesetzt werden, muss die Mindestbreite um 100mm verlängert werden

xme425eNEW

## COMPONENTI | COMPONENTS | EINZELTEILE 21



Cod.	Fin.   Fin.   Oberf.	V-1863 SET 1 FIX	V-1863 SET 1 MIS	V-1863 SET 2 FIX	V-1863 SET 2 MIS
<b>V-1860</b> LB=2000 LB=3000 LB=4000 LB=6000	AN	1	—	1	—
<b>V-1860-MIS</b> LB= 1500→6000	AN	—	1	—	1
<b>V-1834</b> LB=2000 LB=3000 LB=4000 LB=6000	AN	1	—	1	—
<b>V-1834-MIS</b> LB= 1500→6000	AN	—	1	—	1
<b>V-1821</b> LB=2000 LB=3000 LB=4000 LB=6000	AN	1	—	1	—
<b>V-1821-MIS</b> LB= 1500→6000	AN	—	1	—	1
<b>V-1862</b>	—	1	1	2	2
<b>V-1867</b> Staffa   Bracket   Winkelverbinder (OPTIONAL)	—	1 x 400 mm	1 x 400 mm	1 x 400 mm	1 x 400 mm
<b>V-1824-70</b> Soft-close (OPTIONAL)	—	(1) (2)	(1) (2)	(2) (4)	(2) (4)
<b>V-1824-50</b> Soft-close (OPTIONAL)	—	(1) (2)	(1) (2)	(2) (4)	(2) (4)
<b>V-1865 (OPTIONAL)</b>	AN	(1)	(1)	(1)	(1)
<b>V-012</b>	AN	1	1	2	2

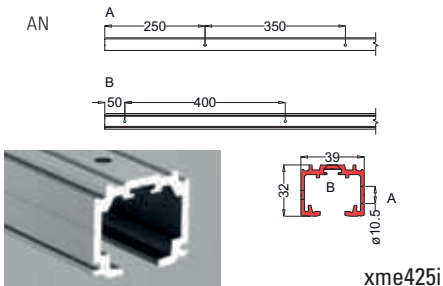
# BRIXIA HEAVY V-1860 | V-1863 | PO-290

## COMPONENTI | COMPONENTS | EINZELTEILE

A SISTEMI SCORREVOLI  
SLIDING DOOR SYSTEMS

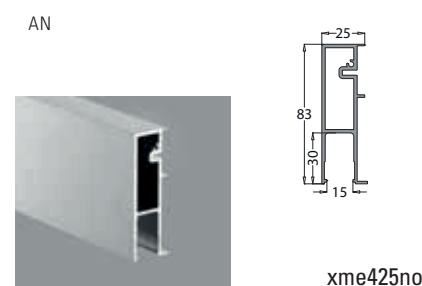
### V-1860

- Binario Scorrevole BRIXIA HEAVY
- Track profile BRIXIA HEAVY
- Laufschiennenprofil BRIXIA HEAVY



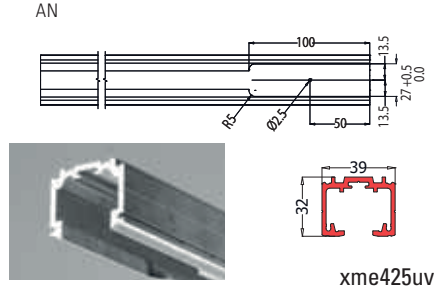
### V-1834

- Profilo per vetro fisso BRIXIA HEAVY
- Side panel profile BRIXIA HEAVY
- Seitenteilprofil BRIXIA HEAVY



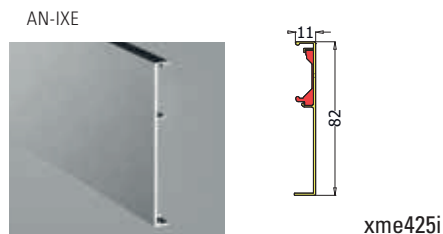
### V-1815

- Binario Scorrevole BRIXIA con fresatura per Soft-close
- Track profile BRIXIA with opening for Soft-close
- Laufschiennenprofil BRIXIA mit Öffnung für Soft-close



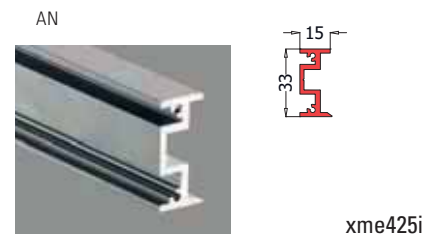
### V-1821

- Veletta per binario V-1860
- Cover profile for Track profile V-1860
- Abdeckung für Laufschiene V-1860



### V-1827

- Profilo distanziale a muro per binario V-1860
- Wall profile for track profile V-1860
- Wandprofil für Laufschiene V-1860



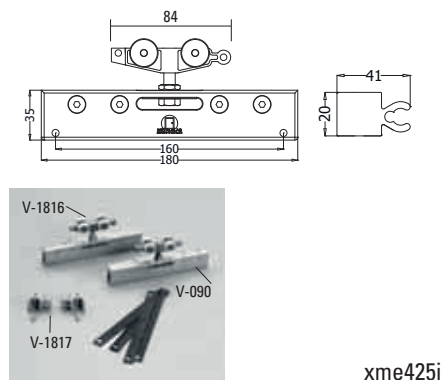
### V-1829

- Veletta per binario V-1860
- Cover profile for Track profile V-1860
- Abdeckung für Laufschiene V-1860



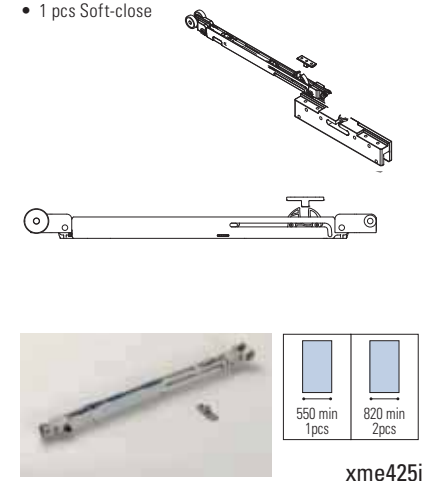
### V-1862

- Set accessori per 1 anta scorrevole composto da 2 carrelli, morsetti per vetro 8-10 mm. 2 stoppers.
- Accessories set for 1 sliding panel consisting of N°2 trolley hangers with clamp carriage for 8/10 mm glass. N°2 endstops.
- Zubehör für 1 Schiebetür bestehend aus: N°2 Klemm - Laufwagen für 8/10 mm Glas. N°2 Stopper.



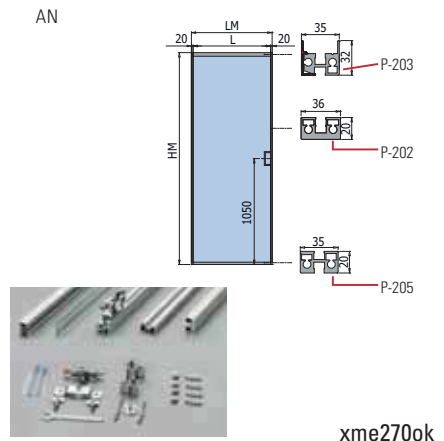
### V-1824-70 Kg V-1824-50 Kg

- 1 pcs Soft-close



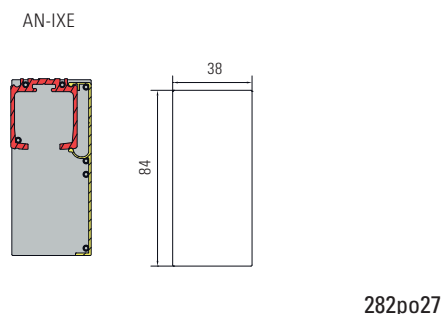
### PO-290-BRIXIA

- Profili per anta intelaiata
- Profiles for aluminium panel
- Flügelrahmen aus Aluminium



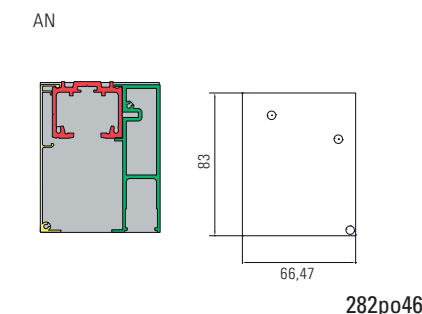
### V-1808

- Paio tappi finali per binario V-1800
- Pair endcaps for track profile V-1800
- Paar Endkappe für Laufschiennenprofil V-1800



### V-1865

- Paio tappi finali per sistema V-1863
- Pair endcaps for system V-1863
- Paar Endkappe für System V-1863



### V-1818-P

- Paio tappi finali per sistema PO-290-BRIXIA
- Pair endcaps for system PO-290-BRIXIA
- Paar Endkappe für System PO-290-BRIXIA

