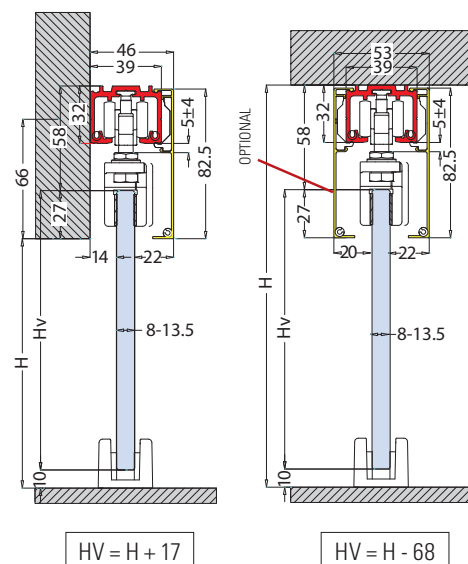
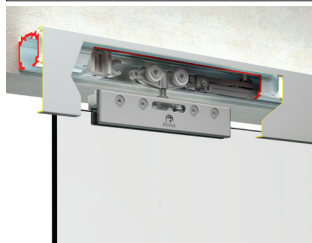
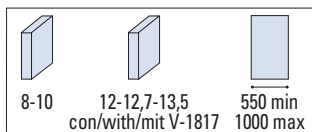




BRIXIA HEAVY (OPTIONAL SOFT-CLOSE)

V-1860

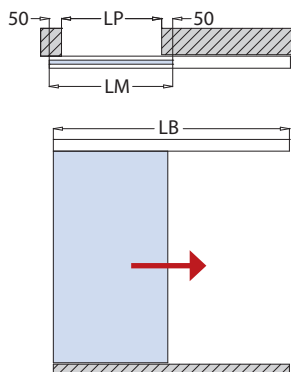


SIMPLE

V-1860 SET 1

€▶A.115

- Set per 1 anta scorrevole, fissaggio a parete/soffitto (solo 1 veletta inclusa)
- Sliding door set, wall/ceiling installation (only 1 cover included)
- Schiebetürset 1-flügelig, Wand-Deckenmontage (nur 1 Abdeckung enthalten)



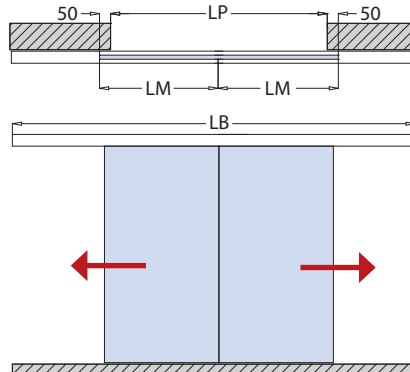
$$LB = LP \times 2 + 150$$

$$LM = LP + 100$$

V-1860 SET 2

€▶A.116

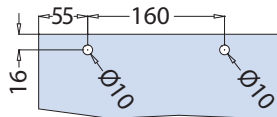
- Set per 2 ante scorrevoli, fissaggio a parete/soffitto (solo 1 veletta inclusa)
- Sliding doors set, wall/ceiling installation (only 1 cover included)
- Schiebetürset 2-flügelig, Wand-Deckenmontage (nur 1 Abdeckung enthalten)



$$LB = LP \times 2 + 100$$

$$LM = (LP + 100) / 2$$

LAVORAZIONE VETRO GLASS PREPARATION GLASBEARBEITUNG

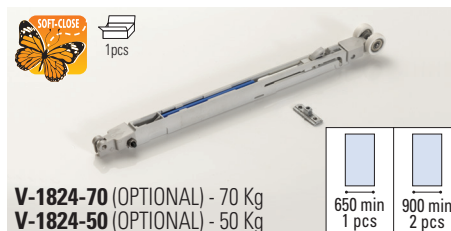
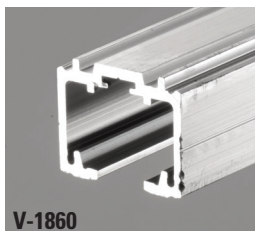


OPTIONAL (x 2)

- **ATTENZIONE:** Con fori di sicurezza **optional** l'anta minima con soft-close aumenta di 100 mm
- **WARNING:** With **optional** security holes min. panel's width soft-close must be increased of 100mm
- **ACHTUNG:** Wenn **optionale** Sicherheitsbohrungen und Soft-close eingesetzt werden, muss die Mindestbreite um 100mm verlängert werden

xme425eNEW

COMPONENTI / COMPONENTS / EINZELTEILE ▶ 56



| Cod. | Fin. / Fin. / Oberf. | V-1860 SET 1 FIX | V-1860 SET 1 MIS | V-1860 SET 2 FIX | V-1860 SET 2 MIS |
|---|----------------------|------------------|------------------|------------------|------------------|
| V-1860 LB=2000 LB=3000 LB=4000 LB=6000 | AN | 1 | — | 1 | — |
| V-1860-MIS LB= 1500→6000 | AN | — | 1 | — | 1 |
| V-1821 LB=2000 LB=3000 LB=4000 LB=6000 | AN/IXE | 1 | — | 1 | — |
| V-1821-MIS LB= 1500→6000 | AN/IXE | — | 1 | — | 1 |
| V-1862 | — | 1 | 1 | 2 | 2 |
| V-1824-70 Soft-close (OPTIONAL) | — | (1) (2) | (1) (2) | (2) (4) | (2) (4) |
| V-1824-50 Soft-close (OPTIONAL) | — | (1) (2) | (1) (2) | (2) (4) | (2) (4) |
| V-1868 | AN | 1 | 1 | 1 | 1 |
| V-012 | AN/NS | 1 | 1 | 2 | 2 |