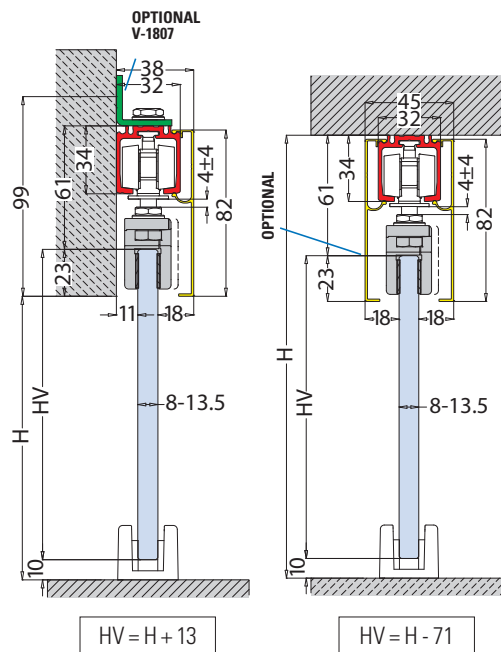
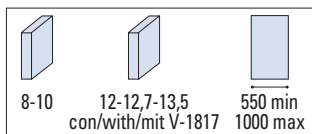




## BRIXIA (OPTIONAL SOFT-CLOSE)

### V-1800

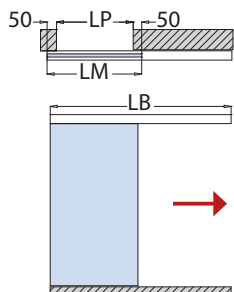


SIMPLE

### V-1800 SET 1

€▶A.289

- Set per 1 anta scorrevole, fissaggio a soffitto (solo 1 veletta inclusa)
- Sliding door set, ceiling installation (only 1 cover included)
- Schiebetürset 1-flügelig, Deckenmontage (nur 1 Abdeckung enthalten)



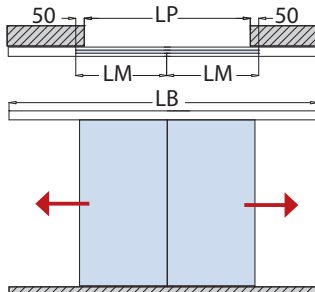
$$LB = LP \times 2 + (50 \times 2) + 300$$

$$LM = LP + 100$$

### V-1800 SET 2

€▶A.290

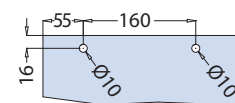
- Set per 2 ante scorrevoli, fissaggio a soffitto (solo 1 veletta inclusa)
- Sliding doors set, ceiling installation (only 1 cover included)
- Schiebetürset 2-flügelig, Deckenmontage (nur 1 Abdeckung enthalten)



$$LB = LP \times 2 + (50 \times 2) + 300$$

$$LM = LP + 100$$

### LAVORAZIONE VETRO GLASS PREPARATION GLASBEARBEITUNG

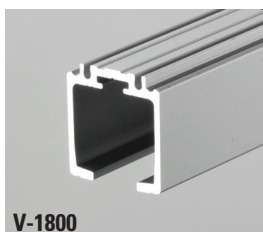


OPTIONAL (x 2)

- **ATTENZIONE:** Con fori di sicurezza **optional** l'anta minima con soft-close aumenta di 100 mm
- **WARNING:** With **optional** security holes min. panel's width soft-close must be increased of 100mm
- **ACHTUNG:** Wenn **optionale** Sicherheitsbohrungen und Soft-close eingesetzt werden, muss die Mindestbreite um 100mm verlängert werden

xme425a

## COMPONENTI / COMPONENTS / EINZELTEILE ▶ 71



V-1800



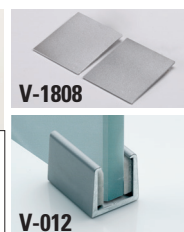
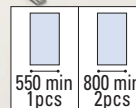
V-1801



V-1802



V-1806-70 (OPTIONAL) - 70 Kg  
V-1806-50 (OPTIONAL) - 50 Kg



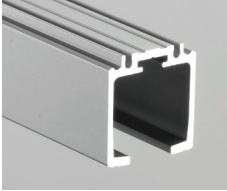
V-1808

V-012

Cod.	Fin. / Fin. / Oberf.	V-1800 SET 1 FIX	V-1800 SET 1 MIS	V-1800 SET 2 FIX	V-1800 SET 2 MIS
V-1800 LB=2000 LB=3000 LB=4000 LB=6000	AN	1	—	1	—
V-1800-MIS LB= 1500→6000	AN	—	1	—	1
V-1801 LB=2000 LB=3000 LB=4000 LB=6000	AN/IXE	1	—	1	—
V-1801-MIS LB= 1500→6000	AN/IXE	—	1	—	1
V-1802	—	1	1	2	2
V-1808	AN/IXE	1	1	1	1
V-012	AN/NS	1	1	2	2
V-1807 Staffa / Bracket / Winkelverbinder (OPTIONAL)	—	1 x 400 mm	1 x 400 mm	1 x 400 mm	1 x 400 mm
V-1806-70 Soft-close (OPTIONAL)	—	(1) (2)	(1) (2)	(2) (4)	(2) (4)
V-1806-50 Soft-close (OPTIONAL)	—	(1) (2)	(1) (2)	(2) (4)	(2) (4)

# V-1800 / V-1810 / V-1803 / V-1850 / V-1855 BRIXIA MICRO (OPTIONAL SOFT-CLOSE)

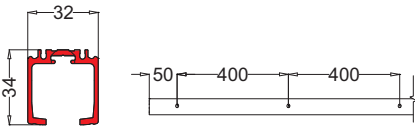
## COMPONENTI / COMPONENTS / EINZELTEILE



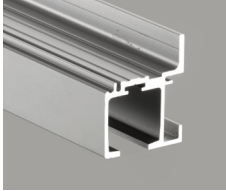
**V-1800** €▶A.299

- Binario
- Track profile
- Laufschiene

AN



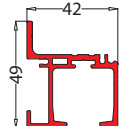
xme425d



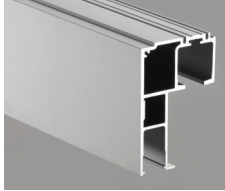
**V-1810** €▶A.300

- Binario per fissaggio a parete
- Track profile for wall installation
- Laufschiene für Wandmontage

AN



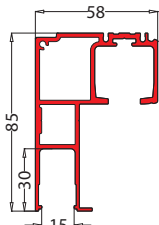
xme425d



**V-1803** €▶A.301


- Binario per anta scorrevole con vetro fisso laterale
- Track profile for sliding panel and fixed side panel
- Laufschiene für Schiebetür und Seitenteil

AN



xme425d

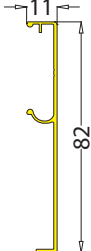
SIMPLE



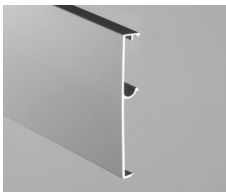
**V-1801** €▶A.302

- Veletta
- Cover profile
- Abdeckung

AN-IXE




xme425d



**V-1851** €▶A.303





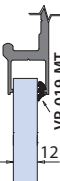

- Veletta
- Cover profile
- Abdeckung

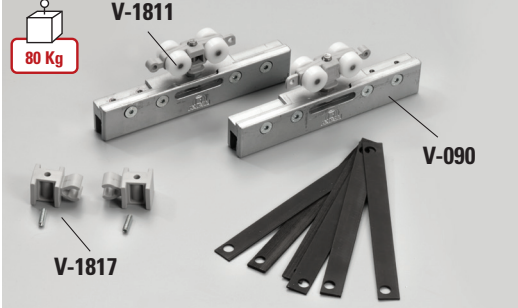
AN



xme425d

**OPTIONAL** €▶A.308


VP-019-MT	VP-018-MT
	
2	3
1000 mm - 2000 mm - 3000 mm	
<ul style="list-style-type: none"> <li>• Guarnizioni per sede vetro fisso</li> <li>• Gaskets for fixed glass</li> <li>• Dichtungen für Seitenteil</li> </ul>	
	
8	10
	
12	



**V-1811** 80 Kg

V-090

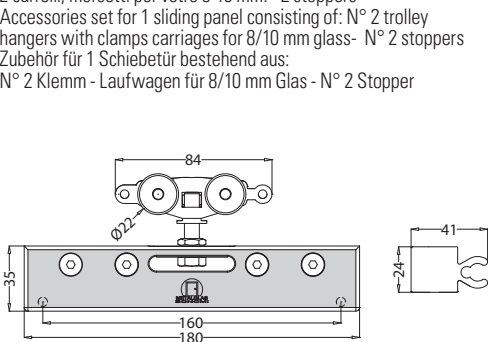
V-1817



8-10  
12-12.7-13.5  
con/with/mit V-1817

**V-1802** €▶A.304

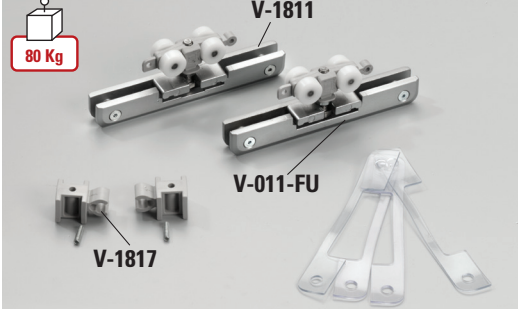
- Set accessori per 1 anta scorrevole composto da: 2 carrelli, morsetti per vetro 8-10 mm. - 2 stoppers
- Accessories set for 1 sliding panel consisting of: N° 2 trolley hangers with clamps carriages for 8/10 mm glass - N° 2 stoppers
- Zubehör für 1 Schiebetür bestehend aus: N° 2 Klemm - Laufwagen für 8/10 mm Glas - N° 2 Stopper



(x 2)

- Fori optional
- Holes optional
- Bohrungen Optional

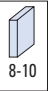
xme425d



**V-1811** 80 Kg

V-011-FU

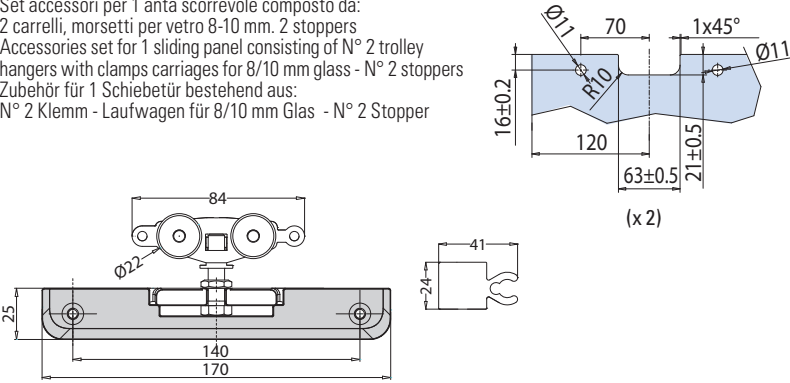
V-1817



8-10

**V-1852** €▶A.305

- Set accessori per 1 anta scorrevole composto da: 2 carrelli, morsetti per vetro 8-10 mm. 2 stoppers
- Accessories set for 1 sliding panel consisting of: N° 2 trolley hangers with clamps carriages for 8/10 mm glass - N° 2 stoppers
- Zubehör für 1 Schiebetür bestehend aus: N° 2 Klemm - Laufwagen für 8/10 mm Glas - N° 2 Stopper



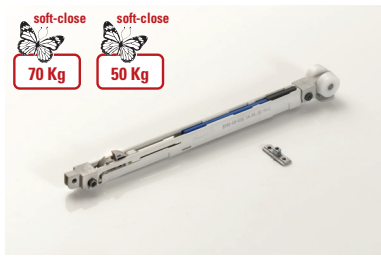
(x 2)

xme425d

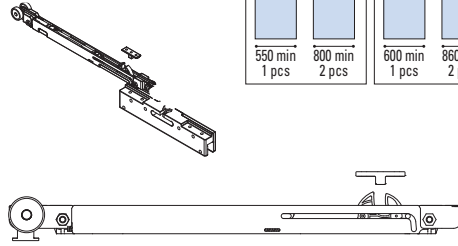
# V-1800 / V-1810 / V-1803 / V-1850 / V-1855 BRIXIA MICRO (OPTIONAL SOFT-CLOSE)

## COMPONENTI / COMPONENTS / EINZELTEILE

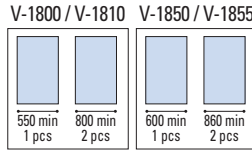
SIMPLE



**V-1806-70 Kg**  
**V-1806-50 Kg**  
• 1 pcs Soft-close



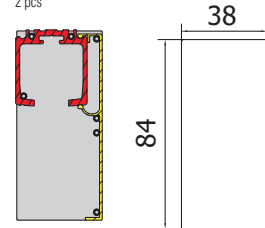
€▶A.306 €▶A.307



**V-1808**

- Paio tappi finali per binario V-1800
- Pair endcaps for track profile V-1800
- Paar Endkappen für Laufschiene V-1800

AN-IXE



€▶A.315

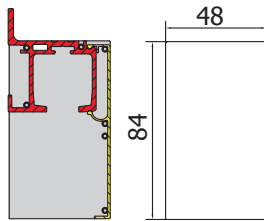
xme425d

282po27

**V-1809**

- Paio tappi finali per binario V-1810
- Pair endcaps for track profile V-1810
- Paar Endkappen für Laufschiene V-1810

AN-IXE

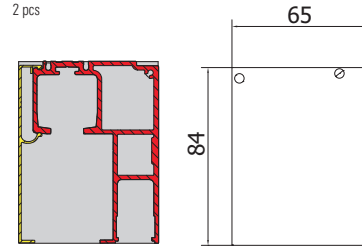


€▶A.317

**V-1804**

- Paio tappi finali per binario V-1810
- Pair endcaps for track profile V-1810
- Paar Endkappen für Laufschiene V-1810

AN

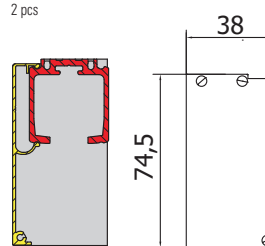


€▶A.316

**V-1858**

- Paio tappi finali per binario V-1850
- Pair endcaps for track profile V-1850
- Paar Endkappen für Laufschiene V-1850

AN



€▶A.319

282po29

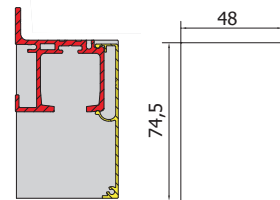
282po33

282po35

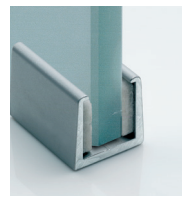
**V-1859**

- Paio tappi finali per binario V-1855
- Pair endcaps for track profile V-1855
- Paar Endkappen für Laufschiene V-1855

AN



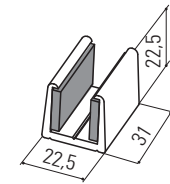
€▶A.318



**V-012**

- Guida a pavimento per scorrevole con feltrini per vetro 8 e 10 mm
- Floor guide with felt strips for glass sliding door a 8 and 10 mm
- Bodenführung mit Filzgleiter für Glas 8 und 10 mm

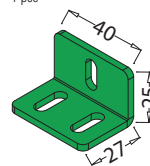
AN-NS-CR



€▶A.310

**V-1807**

- 1 pezzo staffe per fissaggio a parete binario V-1800 (circa 1 pezzo ogni 400 mm)
- 1 Piece fixing bracket for wall installation track profile V-1800 (about 1 piece every 400 mm)
- 1 Stück Winkelprofil für Wandmontage Schiene V-1800 (1 Stück je ca. 400 mm)



€▶A.309

282po45

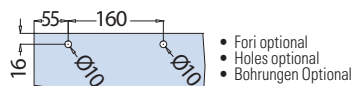
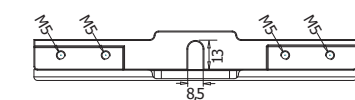
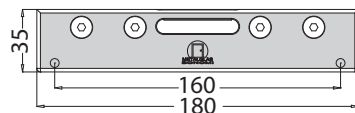
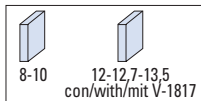
v-012

xme425d



**V-090**

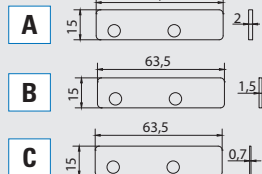
- Pinza
- Clamp
- Klemmschuh



- Fori optional
- Holes optional
- Bohrungen Optional

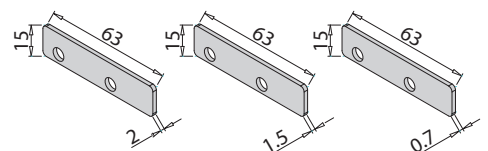
xme431c / xme425a

€▶A.311



**V-1817-A**  
**V-1817-B**  
**V-1817-C**

- Kit spessori per vetro 12 - 12,7 - 13,5 per 2 pinze V-090 e V-090-T
- Kit spacers for glass thickness 12 - 12,7 - 13,5 for 2 clamps V-090 and V-090-T
- Kit Distanzscheiben für Glasdicke 12 - 12,7 - 13,5 für 2 Klemm-Lauwagen V-090 und V-090-T



€▶A.308

xme425t