

CERNIERE A SCATTO

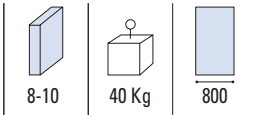
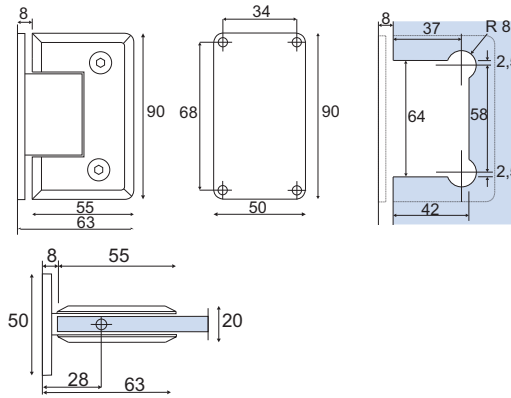
CLICKING HINGES / SELBSTSCHLIESSENDE BÄNDER



B-400

- Cerniera a scatto vetro/muro. Materiale: Zamak.
- Glass to wall double action clicking hinge. Material: Zamak.
- Pendeltürband Glas-Wand. Material: Zamak.

CR - NS



€►B.216

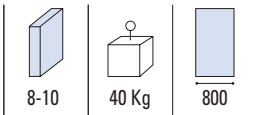
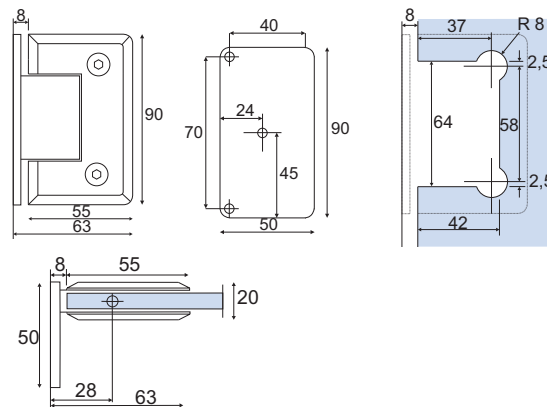
xme403



B-401

- Cerniera a scatto vetro/muro. Materiale: Zamak.
- Glass to wall double action clicking hinge with offset base. Material: Zamak.
- Pendeltürband Glas-Wand. Material: Zamak.

CR - NS



€►B.217

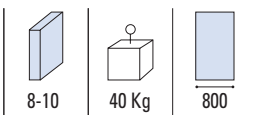
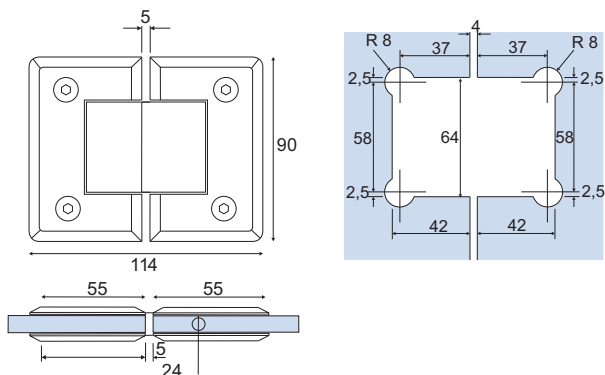
xme403



B-402

- Cerniera a scatto vetro/vetro. Materiale: Zamak.
- Glass to glass double action clicking hinge. Material: Zamak.
- Pendeltürband Glas-Glas. Material: Zamak.

CR - NS



€►B.218

xme403

CERNIERE



MORSETTI COORDINATI ▶ 160
COORDINATED CLAMPS
KOORDINIERTE KLEMMEN

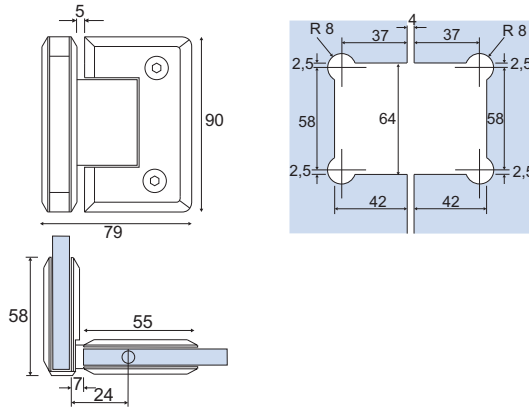


B-405

- Cerniera a scatto vetro/vetro 90°. Materiale: Zamak.
- Glass to glass double action clicking hinge 90°. Material: Zamak.
- Pendeltürband Glas-Glas 90°, beidseitig öffnend. Material: Zamak.

CR - NS

€ ▶ B.219



8-10	40 Kg	800

xme403



CERNIERE

CR
 Cromo lucido
 Polished chrome
 Chrom glänzend

NS
 Nickel satinato
 Satin nickel
 Ähnlich Edelstahl matt