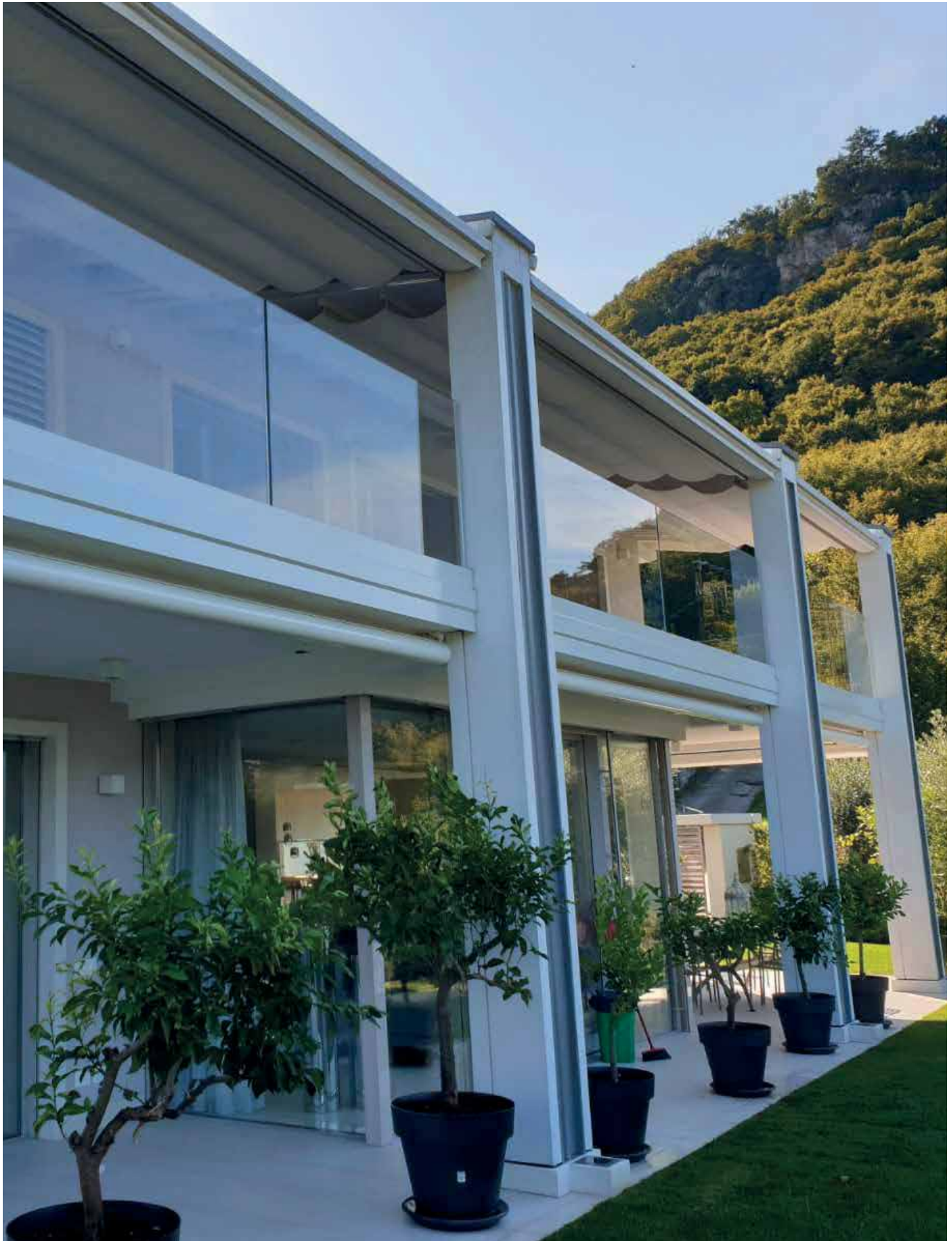
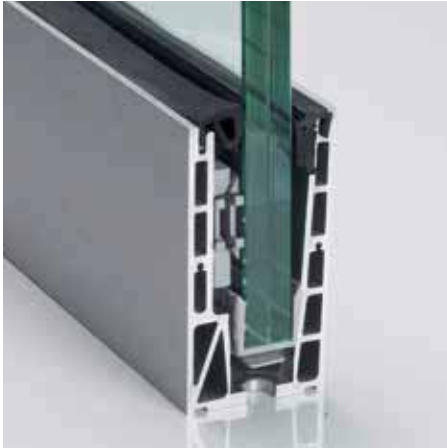


B-3000 / B-3000-G

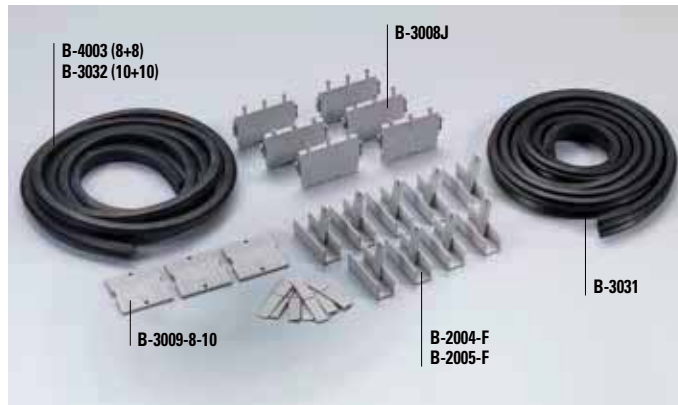
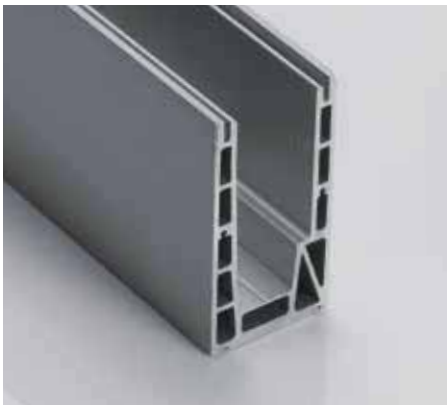
€ ▶ H.08

- Balastra semiregolabile.
Optional supporti LED.
- Adjustable railing system.
Optional LED supports.
- Verstellbares Railing System.
Optional LED Auflage.



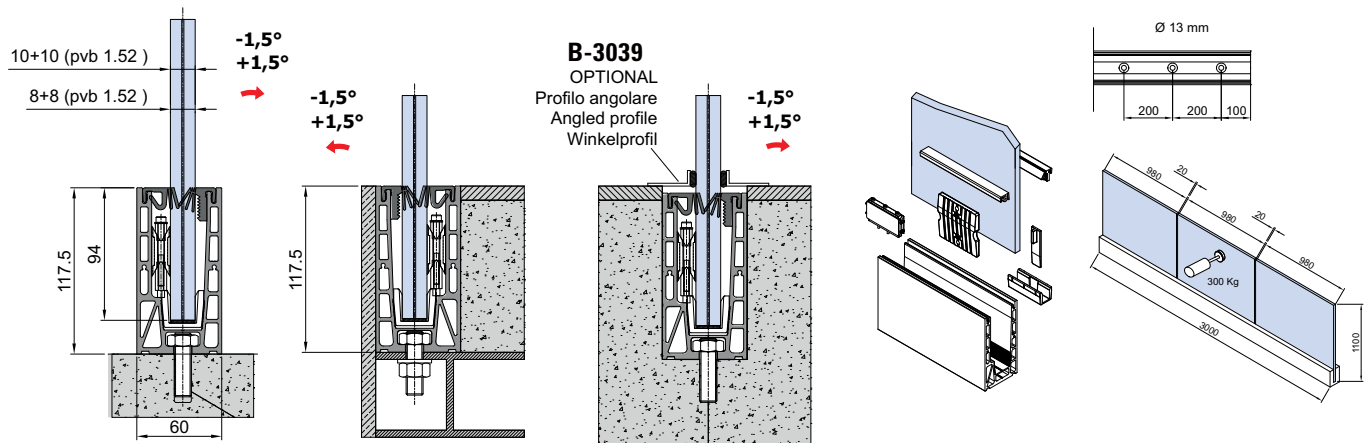


COMPONENTI / COMPONENTS / EINZELTEILE



- B-3000**
- Profilo balaustra
 - Railing profile
 - Profil für Geländer

- B-SET-3000-8 / B-SET-3000-10**
- Set morsetti e guarnizioni
 - Set clamps and gaskets
 - Set Klemmen und Dichtungen



FB041P075

Set completo/mt L = 3000 / 6000 mm Complete set/mt L = 3000 / 6000 mm Komplett-Set L = 3000 / 6000 mm	FIN. FIN. OB.	L =	Vetro Glass Glas	Morsetti/mt Clamps/mt Klemmen/l/m	Testato spinta Test side force Getestete Seitenkraft	Classe Class IT Klasse	
B-3000 SET 1,5 KN 8	AN	3000 mm 6000 mm	8+8 1,52 pvb	2	150 kg	1	1 kN/m = 100 kg/m
^B-3000-G SET 1,5 KN 8	GR	3000 mm 6000 mm					
B-3000 SET 3 KN 10	AN	3000 mm 6000 mm	10+10 1,52 pvb	2	300 kg	2	2 kN/m = 200 kg/m
^B-3000-G SET 3 KN 10	GR	3000 mm 6000 mm					

B-3509

- Inserto esagonale 3 mm per chiave a T, fissaggio morsetti Jolly Pack.
- Hexagonal bit 3 mm for T-handle wrench, fixing Jolly Pack clamps
- Sechskant-Schraubensatz 3 mm für T Stiftschlüssel, Jolly Pack Klemmen Befestigung

^ profilo grezzo / raw profile / roh Profil